

# MARKING

Fagor Electrónica Semiconductores

LEGEND

- MC: Fagor Marking code
- WW: Week code
- Y: Year code
- : Fagor logo
- : UL mark (When required)
- : Circuit diagram

**HALOGEN FREE** : HF: In Axial=>Add suffix HF in Fagor Marking code when Halogen Free is required.  
 H: In all other packages => Add suffix H in front of WW (Week code) when Halogen Free is required. HWW

- + : Positive polarity
- : Negative polarity
- ~ : Alternate

Week code: Manufacturing week => 01/02/03/04/05/06/07/08/09/10/11/...../52/

Year code:

Calendar	2 0 1 0	2 0 1 1	2 0 1 2	2 0 1 3	2 0 1 4	2 0 1 5	2 0 1 6	2 0 1 7	2 0 1 8	2 0 1 9	2 0 2 0	2 0 2 1	2 0 2 2	2 0 2 3	2 0 2 4	2 0 2 5	2 0 2 6	2 0 2 7	2 0 2 8	2 0 2 9	2 0 3 0
Year code	A	B	C	D	E	F	H	J	K	L	M	N	P	R	S	T	U	V	W	X	A

# MARKING

Fagor Electrónica Semiconductores

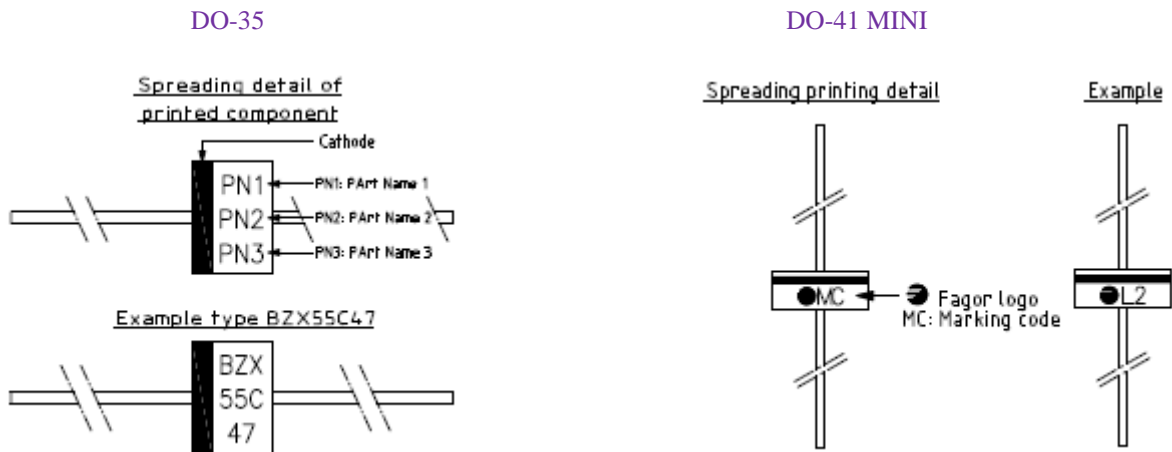
## DIODES

### AXIAL MARKING

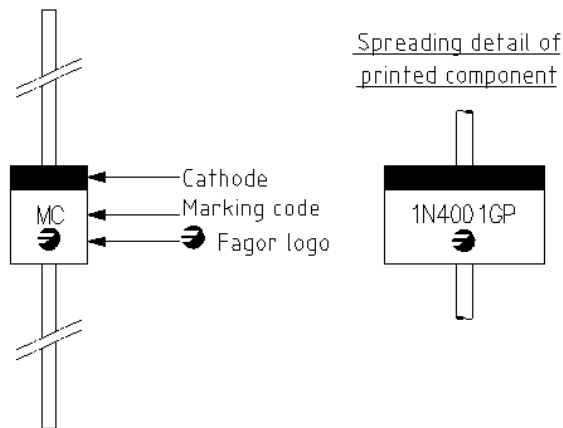
DIODES

Package: DO-35 / A-405 / DO-41M / DO-204AL (DO-41) / DO-204AC (DO-15) / DO-201AE / DO-201AD (DO-27) / P-6 / R-6

Package: DO-35



A-405 / DO-204AL (DO-41) / DO-204AC (DO-15) / DO-201AE / DO-201AD (DO-27) / P-6 / R-6



\* No cathode band for bidirectional.

\* HF: Halogen free products MC finished in HF; eg.1N4001GPH

# MARKING

Fagor Electrónica Semiconductores

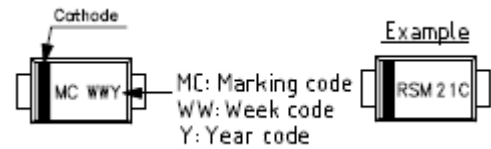
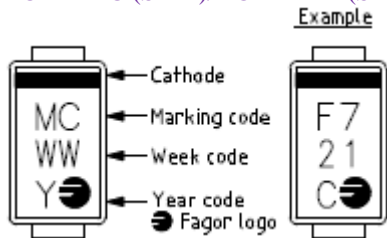
## SMD MARKING

## DIODES

Package: DO-214AC (SMA) / DO-214AA (SMB) / DO-214AB (SMC) / SOD123W / SOD128 / POWER SMD1 / TO-263AB (D2PAK) / TO-252AA (DPAK)

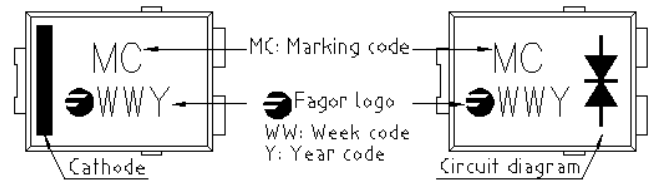
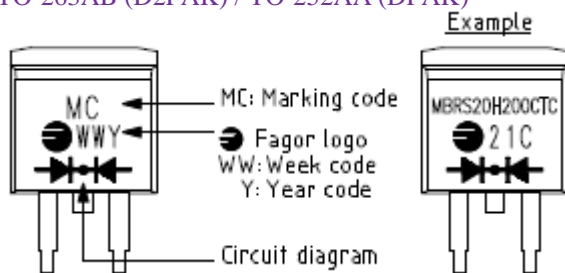
DO-214AC (SMA)/DO-214AA (SMB)/DO-214AB (SMC)

SOD123W/SOD128/POWER SMD1



TO-263AB (D2PAK) / TO-252AA (DPAK)

TO-277A (SMPC)



\* No cathode band for bidirectional.

\* H: Halogen free products add suffix H before WW week code; eg.H21

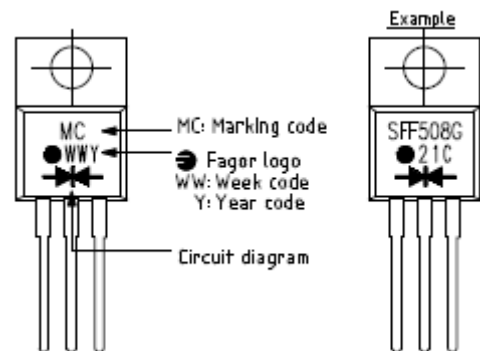
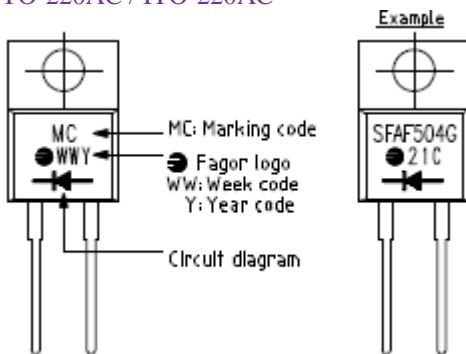
## POWER PACK MARKING

## DIODES

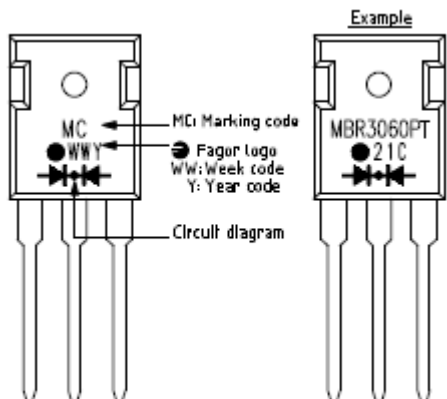
Package: TO-220AC / TO-220AB / ITO-220AC / ITO-220AB / TO-247AD

TO-220AC / ITO-220AC

TO-220AB / ITO-220AB



TO-247AD



# MARKING

Fagor Electrónica Semiconductores

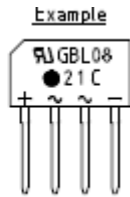
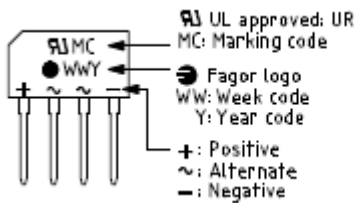
## BRIDGES

### IN LINE MARKING

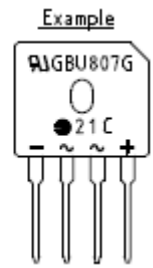
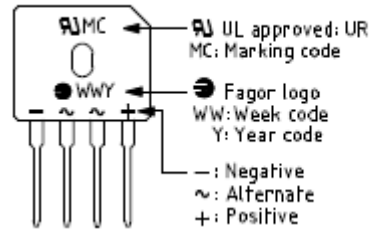
### BRIDGES

Package: GBL / GBU / DSB MEDIUM IN LINE / DXB BIG IN LINE

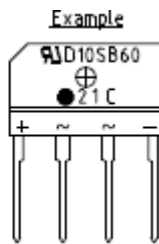
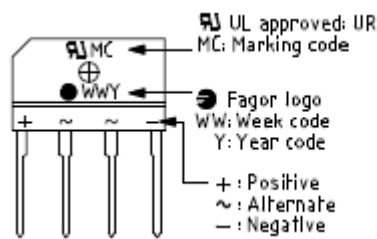
#### GBL



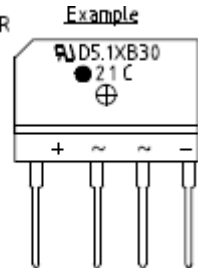
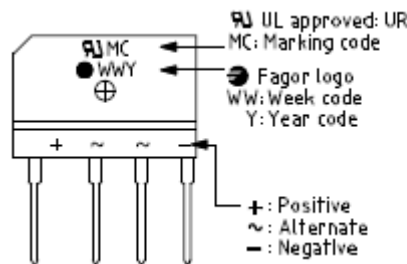
#### GBU



#### DSB MEDIUM IN LINE



#### DXB BIG IN LINE

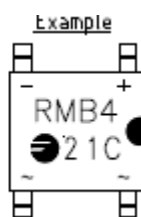
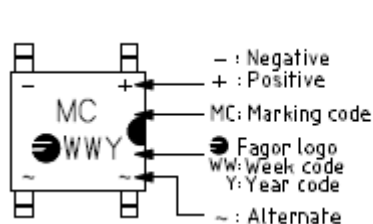


### SMD MARKING

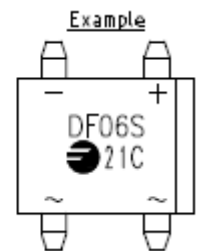
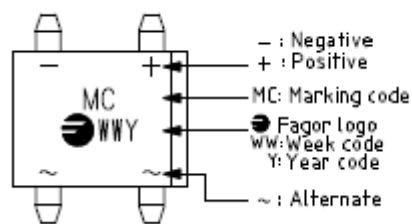
### BRIDGES

Package: TO-269AA (MBS) / DFS / THIN DFS / THIN MINI DIP

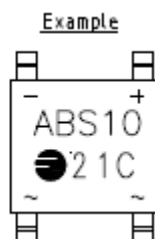
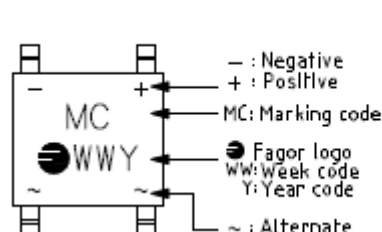
#### TO-269AA (MBS)



#### DFS / THIN DFS



#### THIN MINI DIP



# MARKING

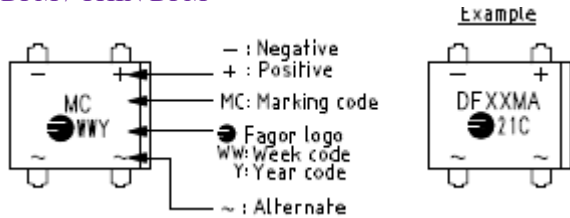
Fagor Electrónica Semiconductores

## RADIAL/THROUGH HOLE MARKING

BRIDGES

Package: DFM / THIN DFM

DFM / THIN DFM

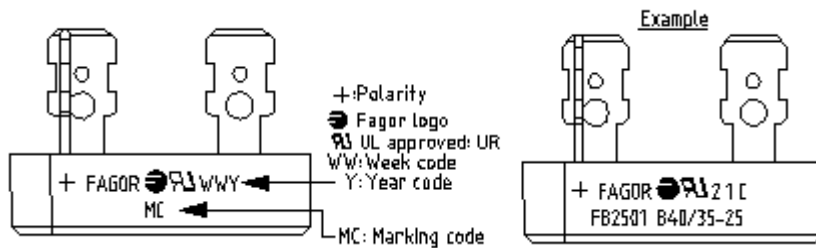


## FASTON/WIRED MARKING

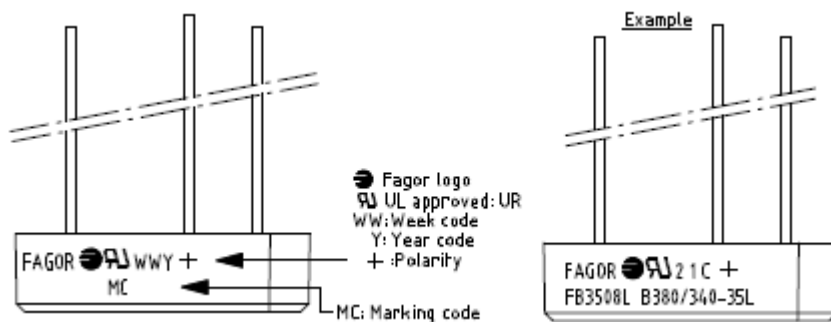
BRIDGES

Package: POWER / POWER L

POWER



POWER L



# MARKING

Fagor Electrónica Semiconductores

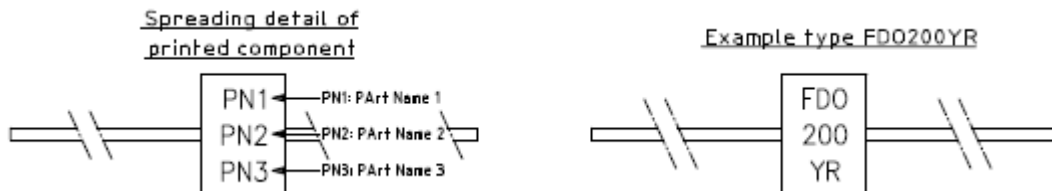
## THYRISTORS

### AXIAL MARKING

### THYRISTORS

Package: DO-35

#### DO-35 DIAC

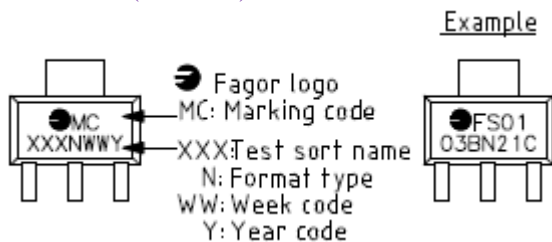


### SMD MARKING

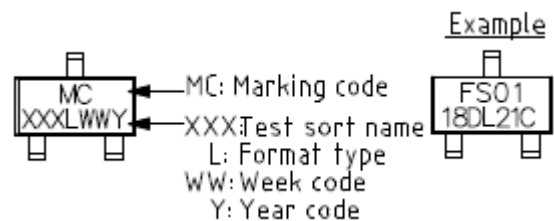
### THYRISTORS

Package: TO-261AA (SOT-223) / TO-236AB (SOT-23 3L) / TO-252AA (DPAK) / TO-263AB (D2PAK) / DO-213AA (MINIMELF)

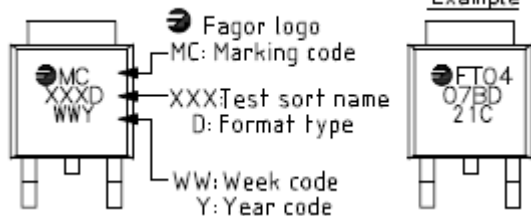
#### TO-261AA (SOT-223)



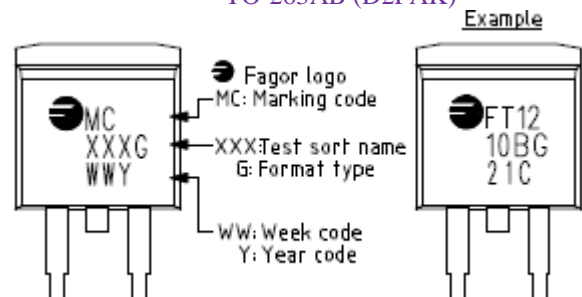
#### TO-236AB (SOT-23 3L)



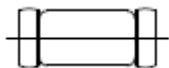
#### TO-252AA (DPAK)



#### TO-263AB (D2PAK)



#### DO-213AA (MINIMELF)



# MARKING

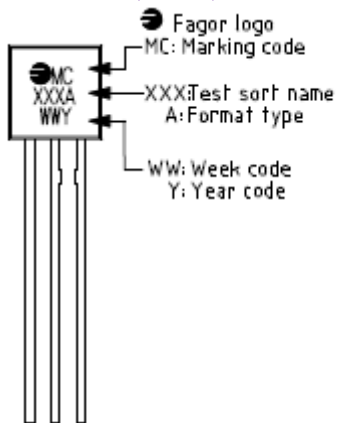
Fagor Electrónica Semiconductores

## THROUGH HOLE MARKING

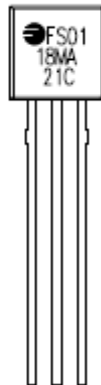
## THYRISTORS

Package: TO-226AA (TO-92) / TO-251 (IPAK)

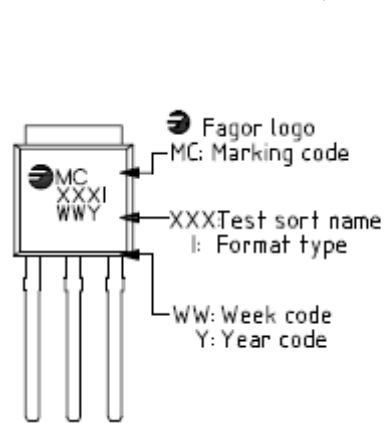
### TO-226AA (TO-92)



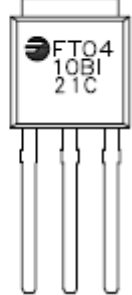
#### Example



### TO-251 (IPAK)



#### Example

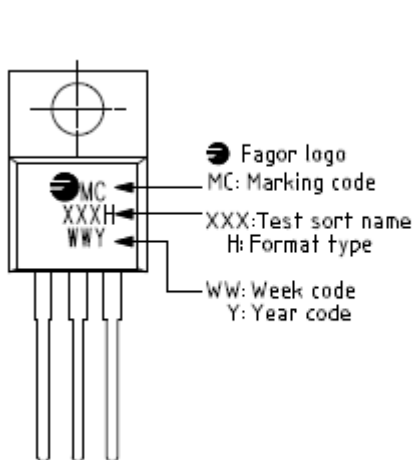


## POWER PACK MARKING

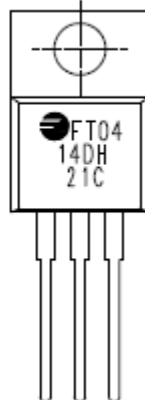
## THYRISTORS

Package: / TO-220 AB / TO-220 AB INSULATED / TO-220 F / TO-3P INSULATED / TO-3P FP

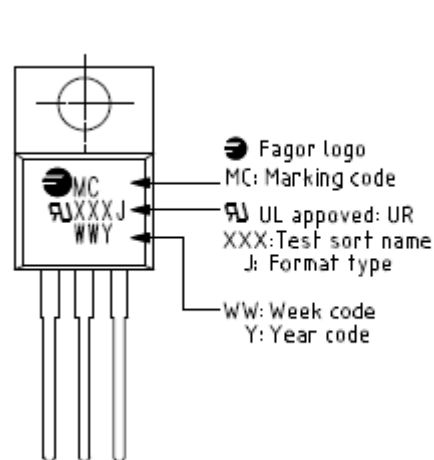
### TO-220 AB



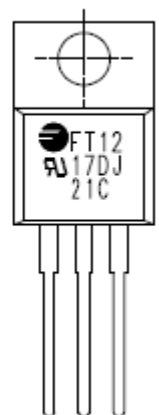
#### Example



### TO-220 AB INSULATED



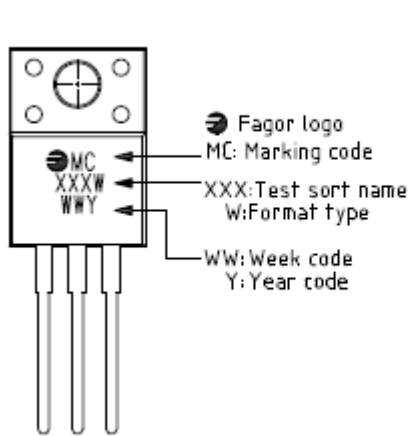
#### Example



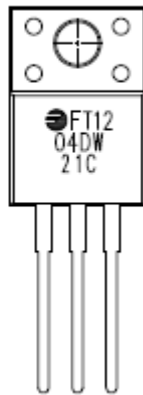
# MARKING

Fagor Electrónica Semiconductores

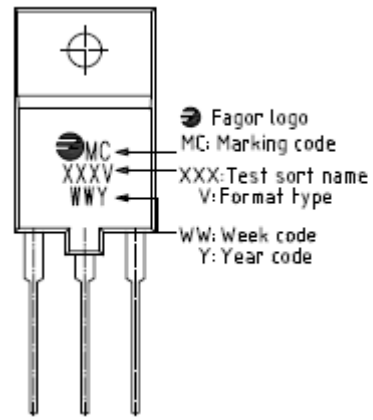
## TO-220 F



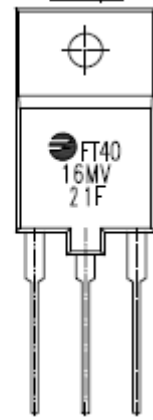
### Example



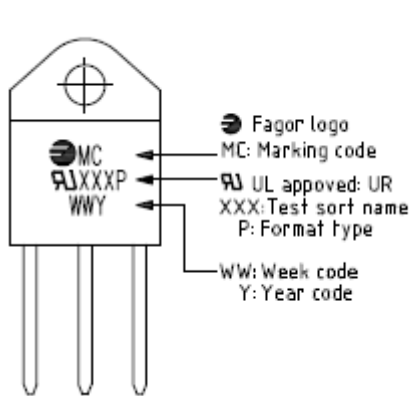
## TO-3P FP



### Example



## TO-3P INSULATED



### Example

