

AD 2300 / AD 4300

Self-powered broadband amplifier for indoor use.

APPLICATION

Suitable for individual digital terrestrial TV installations with several TV sets located away from the main socket.

CHARACTERISTICS

- The circuit is housed in a zamak box that ensures a high level of shielding.
- Switching power supply, which reduces consumption and inner temperature and guarantees a long life product.
- Independent regulation
- Allows DC pass between any output.
- AD 2300: it has two independent outputs, the second one attenuated 10 dB with respect to the first one.
- AD 4300: it has 4 independent outputs. LTE compatible.

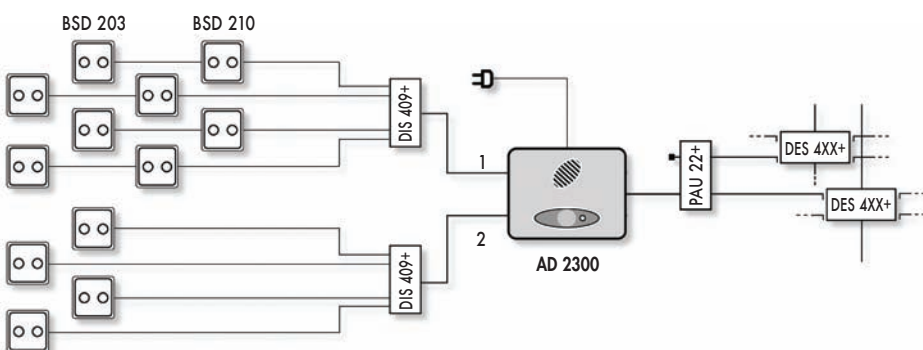


MODEL		AD 2300	AD 4300
Supply voltage	Vac	195 - 265	
Power consumption	W	5,5 VA	2,7
Operating temperature range	°C	0 ÷ 50	

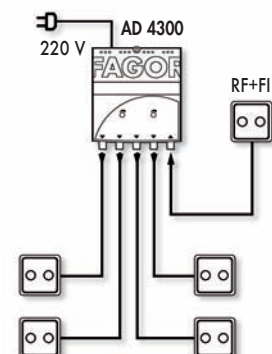
MODEL	AD 2300				AD 4300			
Reference	36230				36231			
Number of inputs	1							
Number of outputs	2				4			
Frequency range	MHz		MHz		MHz		MHz	
	RF 47 ÷ 862		SAT 950 ÷ 2150		RF 47 ÷ 790		SAT 950 ÷ 2150	
Gain	dB		dB		dB		dB	
• Output 1	16	20	23	30	17		27	
• Output 2	4	8	13	20				
Max. output level DIN 4500 4B*	dBµV		dBµV		dBµV		dBµV	
	108 (Output 1) 96 (Output 2)		114 (Output 1) 104 (Output 2)		105		105	
Gain regulation	dB		—		20			
Impedance	Ω							
	75							
Return path through loss	dB				dB			
	3,5 (Output 1)				10			
Input / output connectors	F(f)							
Max. current drawn	A							
	0,5							
DC pass, 22 KHz, DiSEqC	YES ALL OUTPUTS							
Packing dimensions	mm				mm			
	165 x 92 x 60				148 x 130 x 50			
Weight	Kg				Kg			
	0,4				0,3			

* 950 ÷ 2300 MHz: IM3 at -35 dB
47 ÷ 862 MHz: IM3 at -60 dB

Indoor amplification (RF & 1st IF SAT)



AD 4300



AMPLIFICATION